

EQUIPMENTS DETAILS



Switch

Manufacturer: VIMAR
Model: EIKON

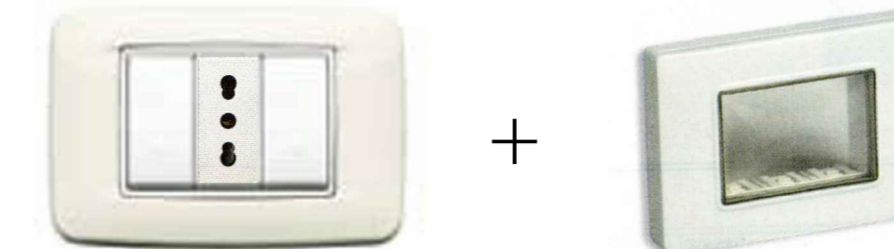
- Control point composed by following equipments:
- * 3-module flush mounting box, (Glow Wire 650 °C), for masonry walls, light blue
 - * 3-module mounting frame, with screws, for 3-module mounting boxes
 - * one or two 1P 16 A 250 V~ 1-way switch, replaceable button, white
 - * one or two blank module white round plate 3M Bright antique white



Junction box for electrical towel with switch, recessed in the wall, above 120cm the floor.

Manufacturer: VIMAR
Model: EIKON

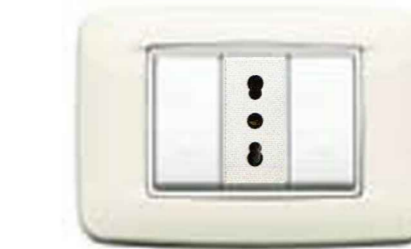
- Socket point type 2P+T/une1 10/16A composed by following equipments:
- * 3-module flush mounting box, (Glow Wire 650 °C), for masonry walls, light blue
 - * 3-module mounting frame, with screws, for 3-module mounting boxes
 - * one 1P 16 A 250 V~ 1-way switch, replaceable button, white
 - * one cable outlet with cord-grip, white
 - * round plate 3 module Bright antique white



Water proof socket outlet 10/16A, recessed in the wall, above 30cm the floor.

Manufacturer: VIMAR
Model: EIKON

- Socket point type 2P+T/une1 10/16A composed by following equipments:
- * 3-module flush mounting box, (Glow Wire 650 °C), for masonry walls, light blue
 - * 3-module mounting frame, with screws, for 3-module mounting boxes
 - * one socket 2P+E 10/16 A 250 V~ SICURY socket outlet, Italian standard P17/11, white
 - * 3-module cover, with screws, for Eikon and Plano series, for 3-module flush mounting boxes, IP55, white
 - * round plate 3 module Bright antique white



Socket outlet 2P+G 10/16A, recessed in the wall, above 30cm the floor.

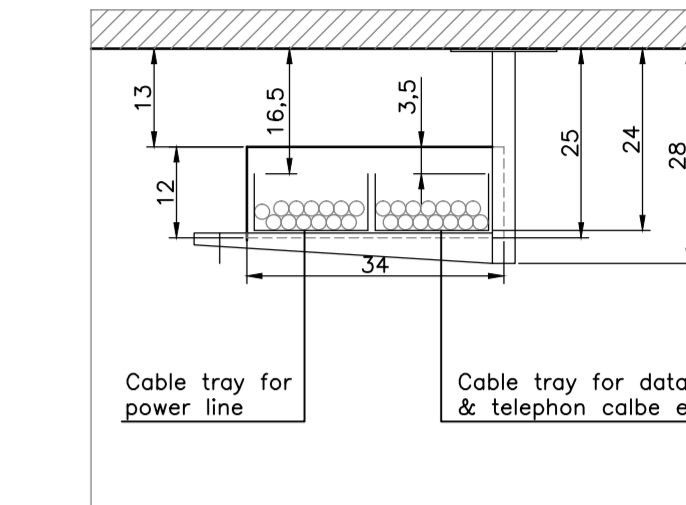
Manufacturer: VIMAR
Model: EIKON

- Socket point type 2P+T/une1 10/16A composed by following equipments:
- * 3-module flush mounting box, (Glow Wire 650 °C), for masonry walls, light blue
 - * 3-module mounting frame, with screws, for 3-module mounting boxes
 - * one socket 2P+E 10/16 A 250 V~ SICURY socket outlet, Italian standard P17/11, white
 - * round plate 3 module Bright antique white

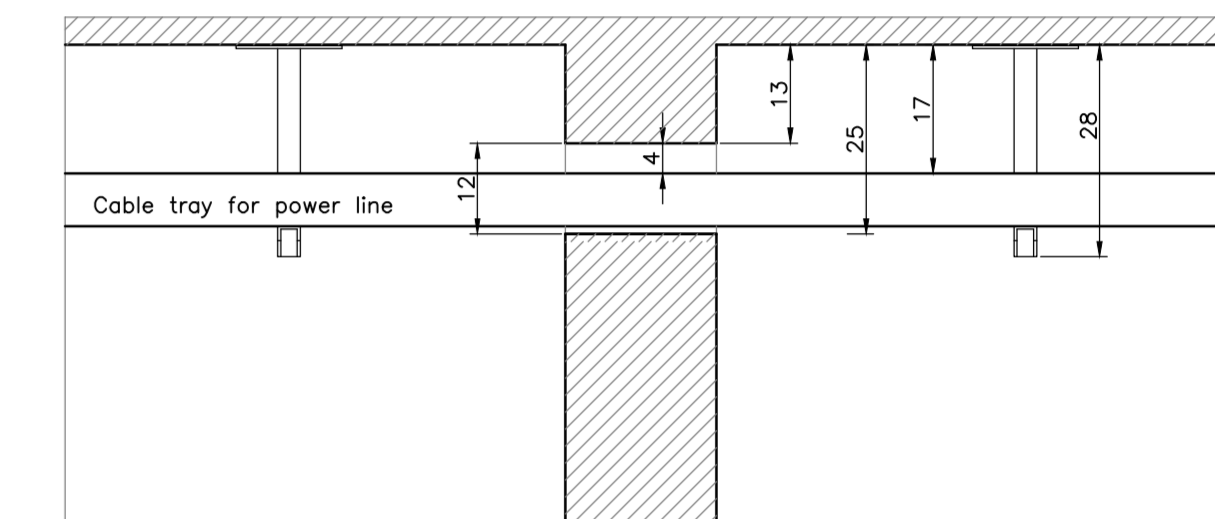
DETAIL
hole for passage cable tray
Scale 1:10



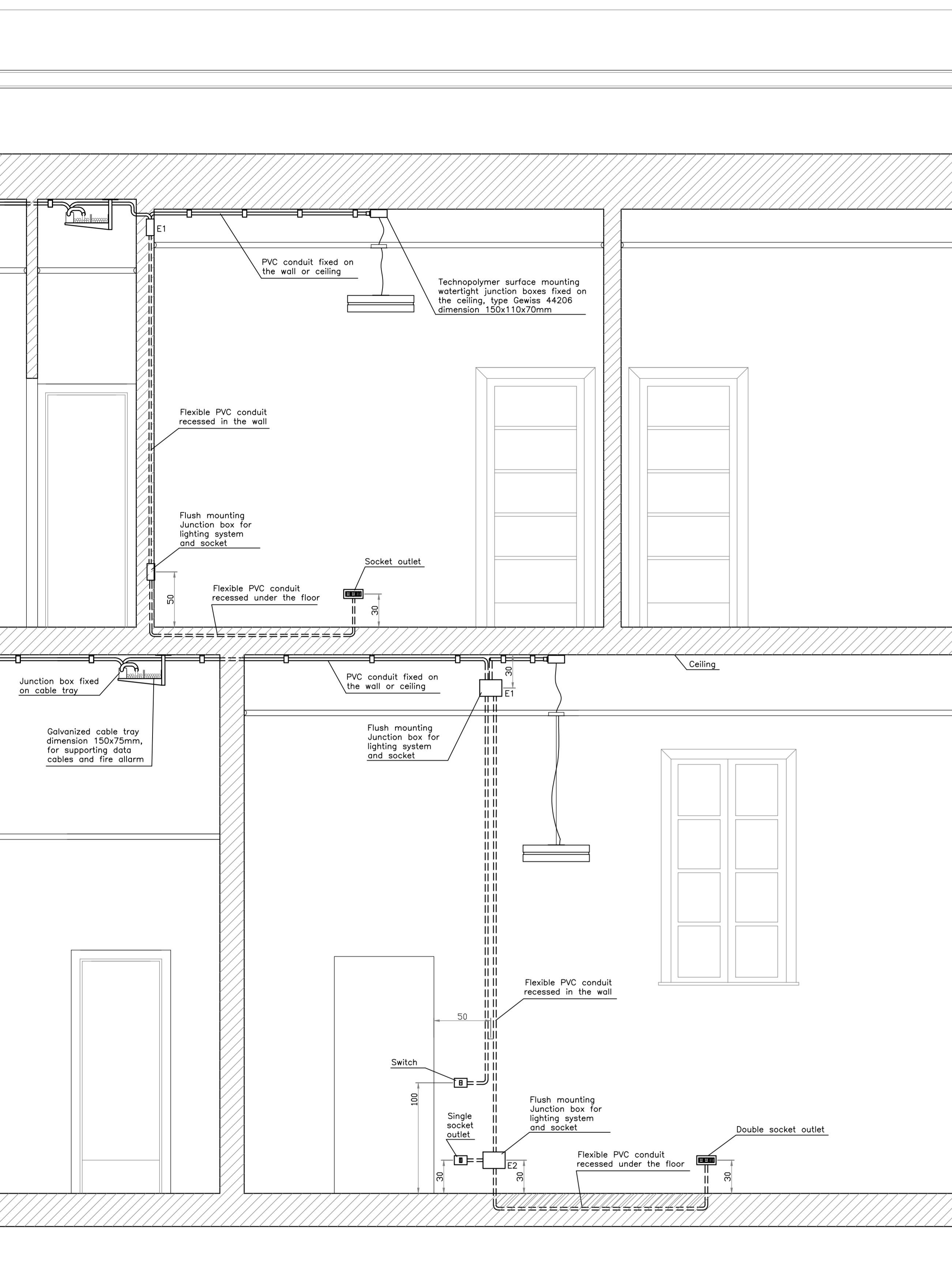
PICTURE



LATERAL VIEW



FRONTAL VIEW



DETAIL
Typical lighting wiring and socket
Scale 1:25



Flush mounting junction box for lighting system and socket

Manufacturer: GEWISS
Model: GW 48004
GW 48006

Flush mounting junction box for lighting system and socket
E1: dimension 152x98x70mm, model GW 48004
E2: dimension 152x98x70mm, model GW 48004

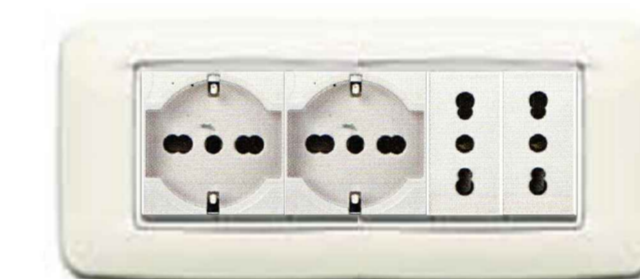
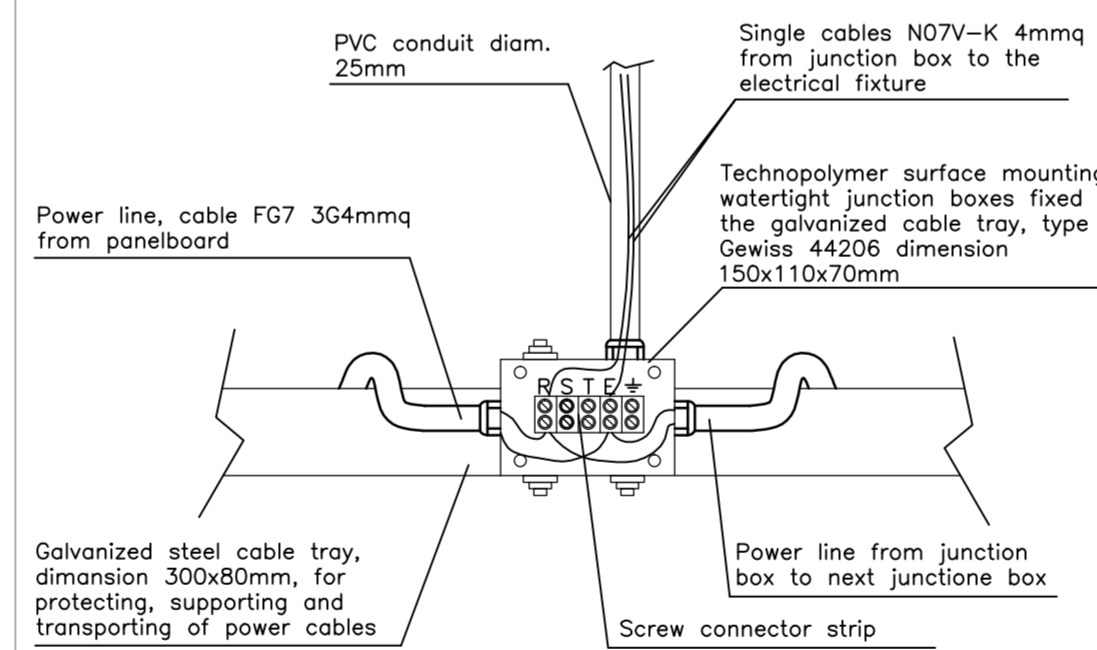
Flush mounting junction box for data system and security
E3: dimension 152x98x70mm, model GW 48004
E4: dimension 152x98x70mm, model GW 48004

Flush mounting junction box for lighting system and socket
E5: dimension 196x152x70mm, model GW 48006
E6: dimension 196x152x70mm, model GW 48006

Flush mounting junction box for data system and security
E5: dimension 196x152x70mm, model GW 48006
E6: dimension 196x152x70mm, model GW 48006

DETAIL

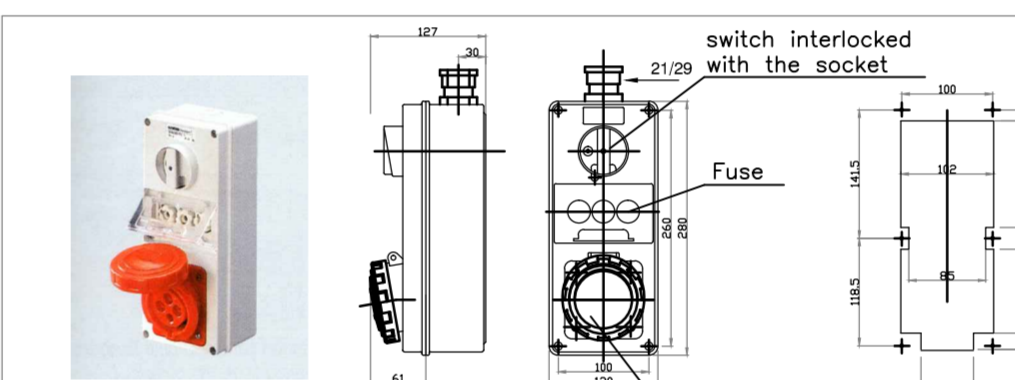
Typical wiring of junction box fixed on cable tray



2 sockets outlet UNEL 2P+G and 2 sockets outlet 2P+G 10/16A, recessed in the wall, above 30cm the floor.

Manufacturer: VIMAR
Model: EIKON

- Socket point type 2P+G/une1 10/16A composed by following equipments:
- * 6-module flush mounting box, (Glow Wire 650 °C), for masonry walls, light blue
 - * 6-module mounting frame, with screws, for 6-module mounting boxes
 - * two socket 2P+E 10/16 A 250 V~ SICURY socket outlet, Italian standard P17/11, white
 - * two 2P+E 10/16 A 250 V~ SICURY socket outlet, universal, for 2P 2,5 A Europlugs, 2P and 2P+E 10 A and 16 A Italian standard plugs, 2P+E 16 A German standard plugs, white - 2 modules. Earth connection is not realized with 2P+E 16 A 250 V~ French standard plug
 - * round plate 6 module Bright antique white



Interlocked-socket outlet type CEE 2P+G 16A 220V, recessed in the wall, above 90cm the floor.

Manufacturer: GEWISS
Model: GW 66 226

CATHEDRAL OF BENGHAZI BENGHAZI, LIBIA



Architectural, electric and mechanical systems project

Architect in charge and team coordinator:

Arch. Carlo Formichi

إطار تنمية وتطوير
المراكز الادارية



DRAWING **ES2.07** WORKING DESIGN
ELECTRICAL PATTERNS
CATHEDRAL, BUILDING 1, 3
SCALE / SOCKET SYSTEM AND ALIMENTATION
DATE: May 2009 PANELBOARDS SYSTEM
DETAILS

UPDATING: